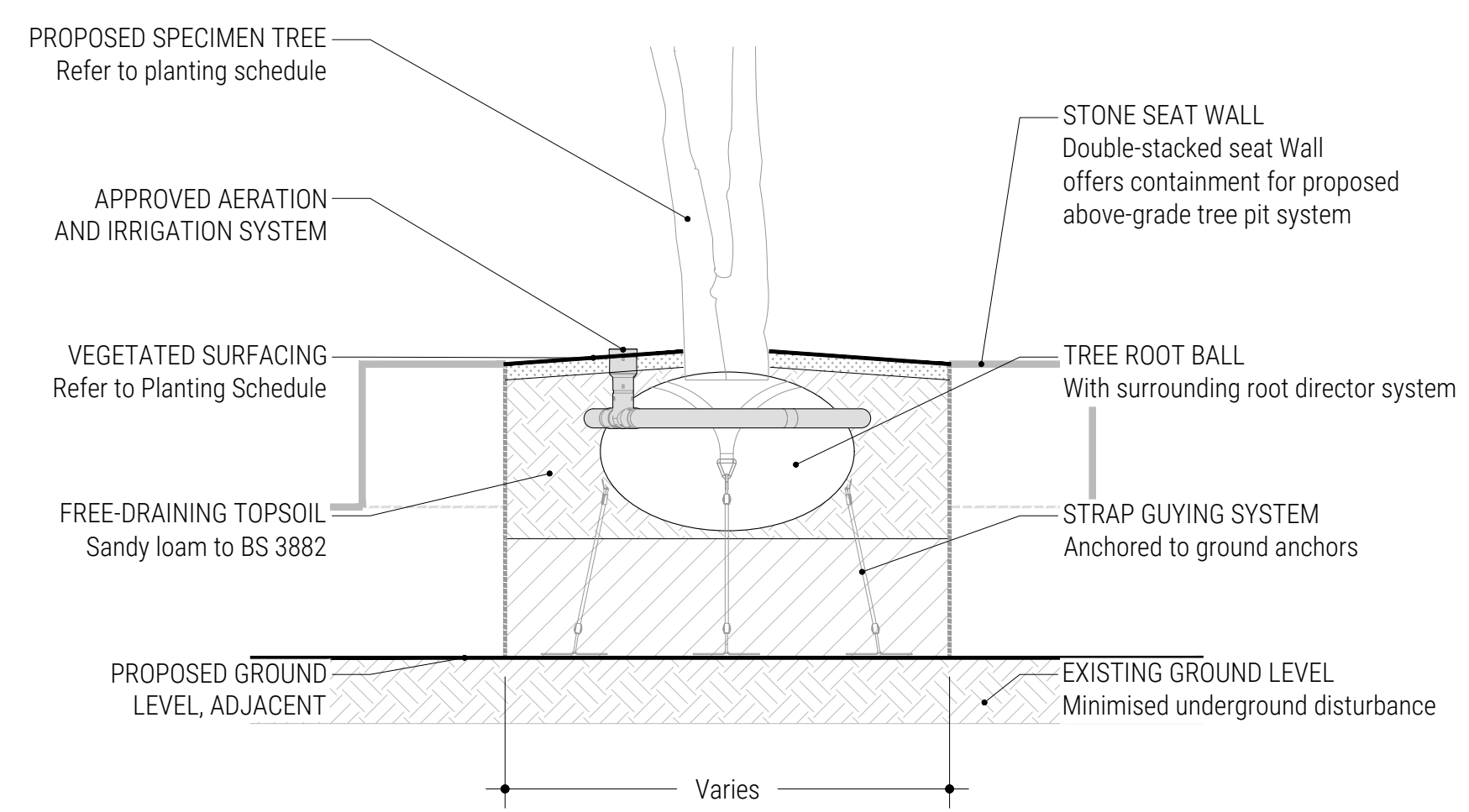
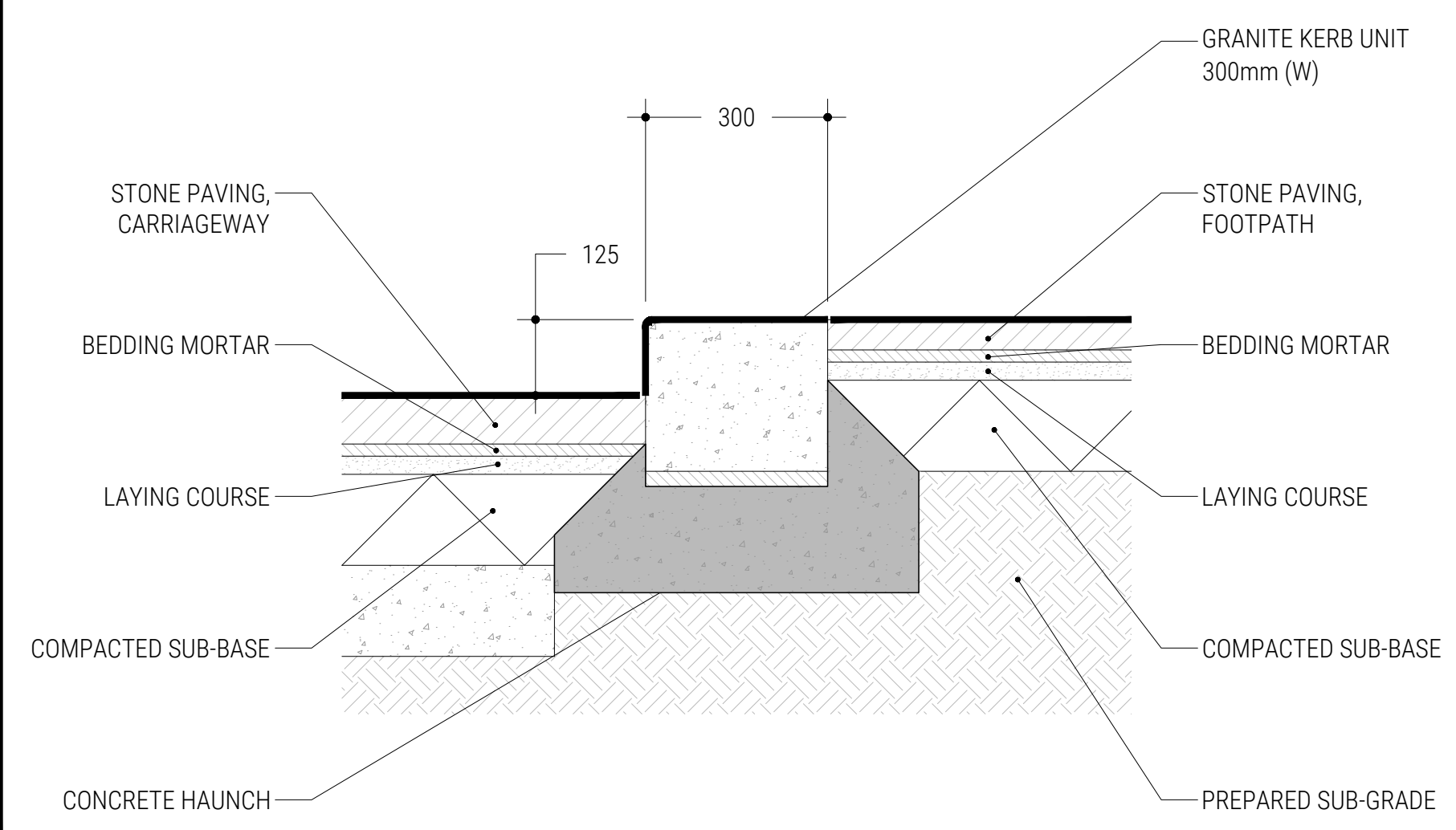


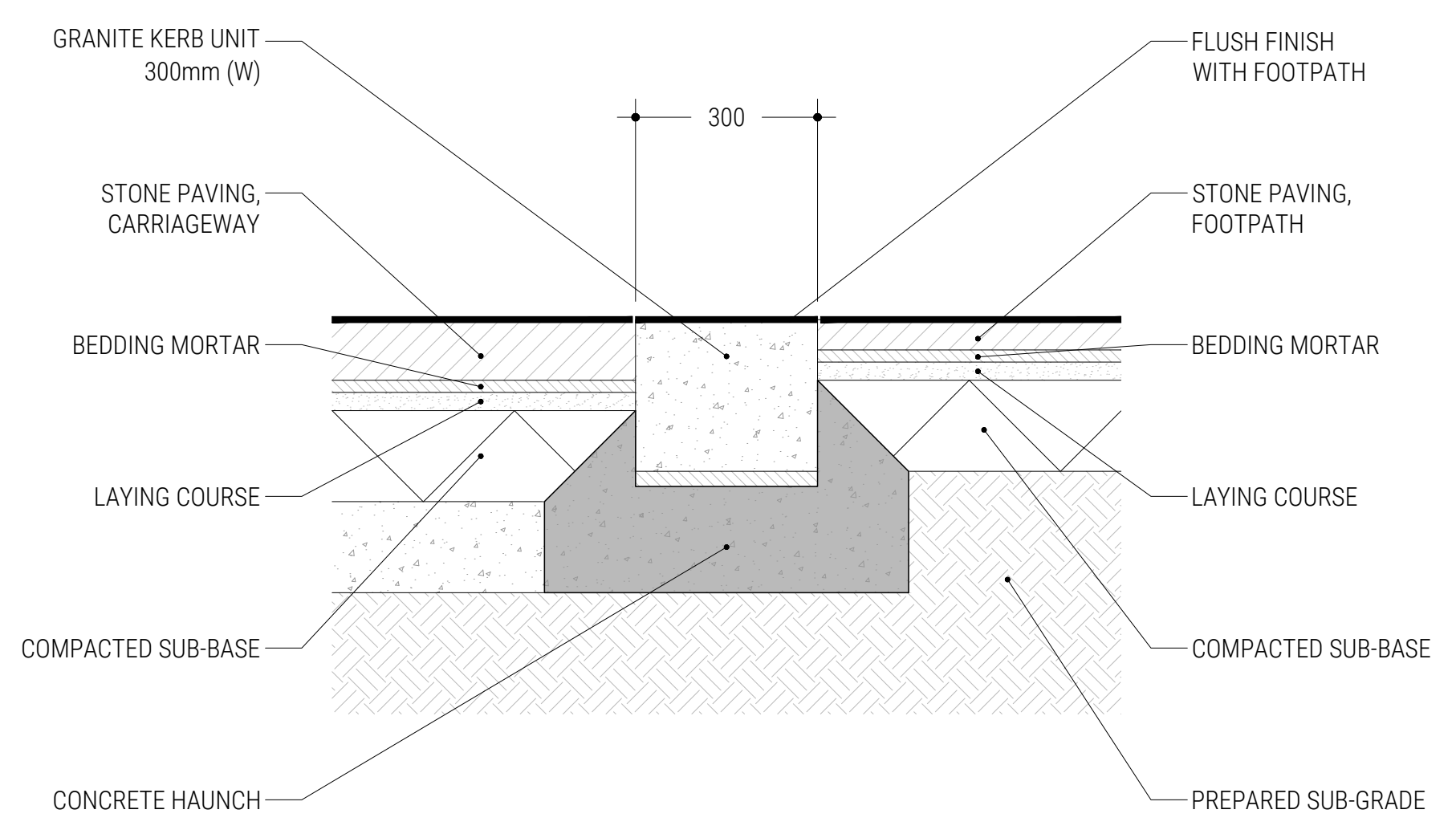
01 Section: Wesley Square
L703 1:50



02 Section: Elevated Tree Pit
L703 1:20



03 125mm Upstand Kerb
L703 1:10



03 Detail: Flush Kerb
L703 1:10

notes
Do not scale from drawing, use figured dimensions only.
All dimensions are to be checked on site by contractor prior to commencement of all work.
Discrepancies should be reported immediately.
This drawing is to be read in conjunction with all other TPHC drawings and specification.
This drawing is the copyright of the Landscape Architect and must not be reproduced or used without permission.
Ordnance information base information shown is reproduced from Ordnance Survey material © Crown copyright 2018 Licence Number 100034836.

revision	description	date	author
-	DRAFT PACKAGE FOR COORDINATION	03/06/2022	BD
A	DRAFT PACKAGE FOR FINAL REVIEW	13/06/2022	BD

thepaulhogarthcompany
LANDSCAPE ARCHITECTURE / URBAN DESIGN / PLANNING
e: edinburgh@paulhogarth.com e: belfast@paulhogarth.com e: dublin@paulhogarth.com
t: +44 (0)131 531 4811 t: +44 (0)28 9073 6690 t: +353 (0)1 897 0272
visit us at www.paulhogarth.com / find us on: facebook / twitter / instagram / linkedin

created	15/04/2022	drawn	BD	checked	AM	scale @ A1	Varies
project code	1431	drawing number	L703	revision	A		
client	TIPPERARY COUNTY COUNCIL						
project	PUBLIC REALM ENHANCEMENT WORKS, CASHEL						
drawing	SITE SECTION & DETAILS: WESLEY SQUARE						
status	PLANNING						