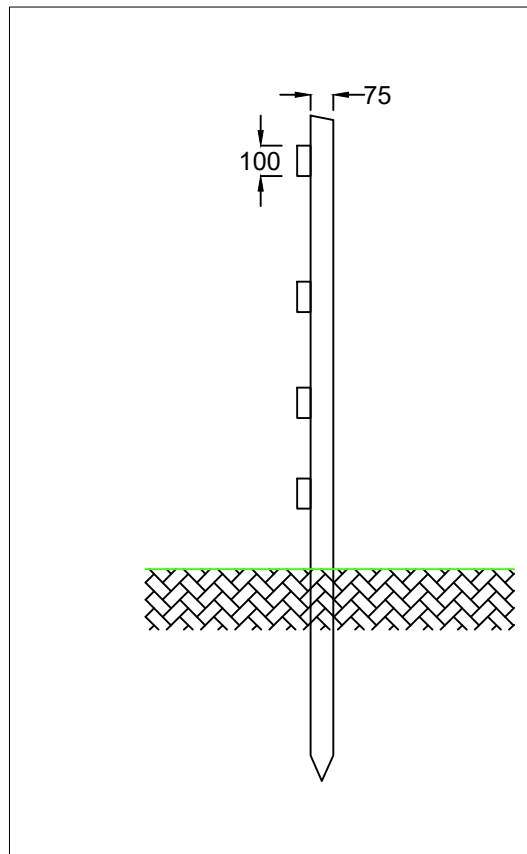


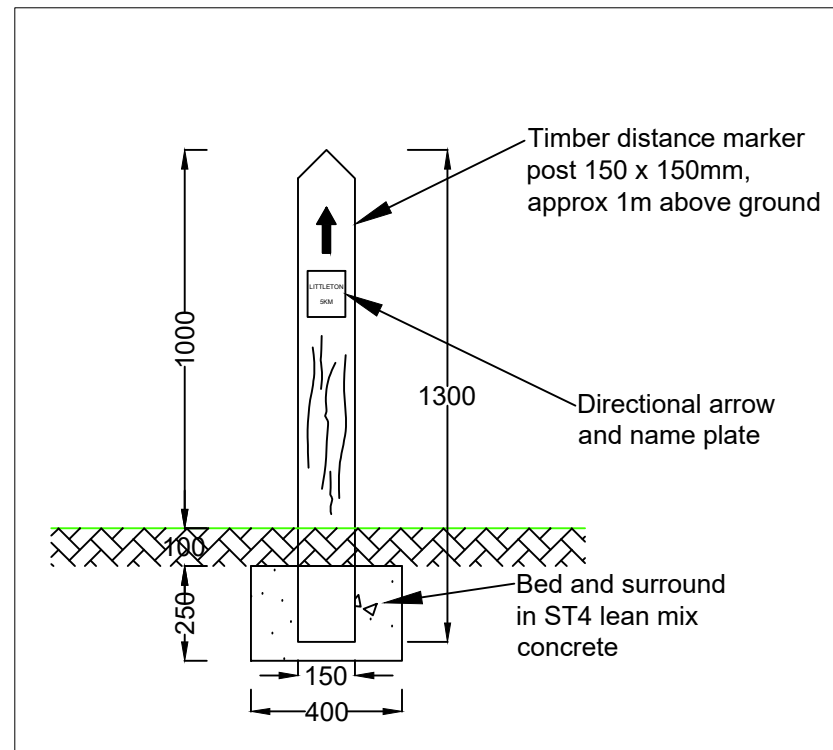
### Typical Post & Rail Fencing Detail

SCALE 1:25



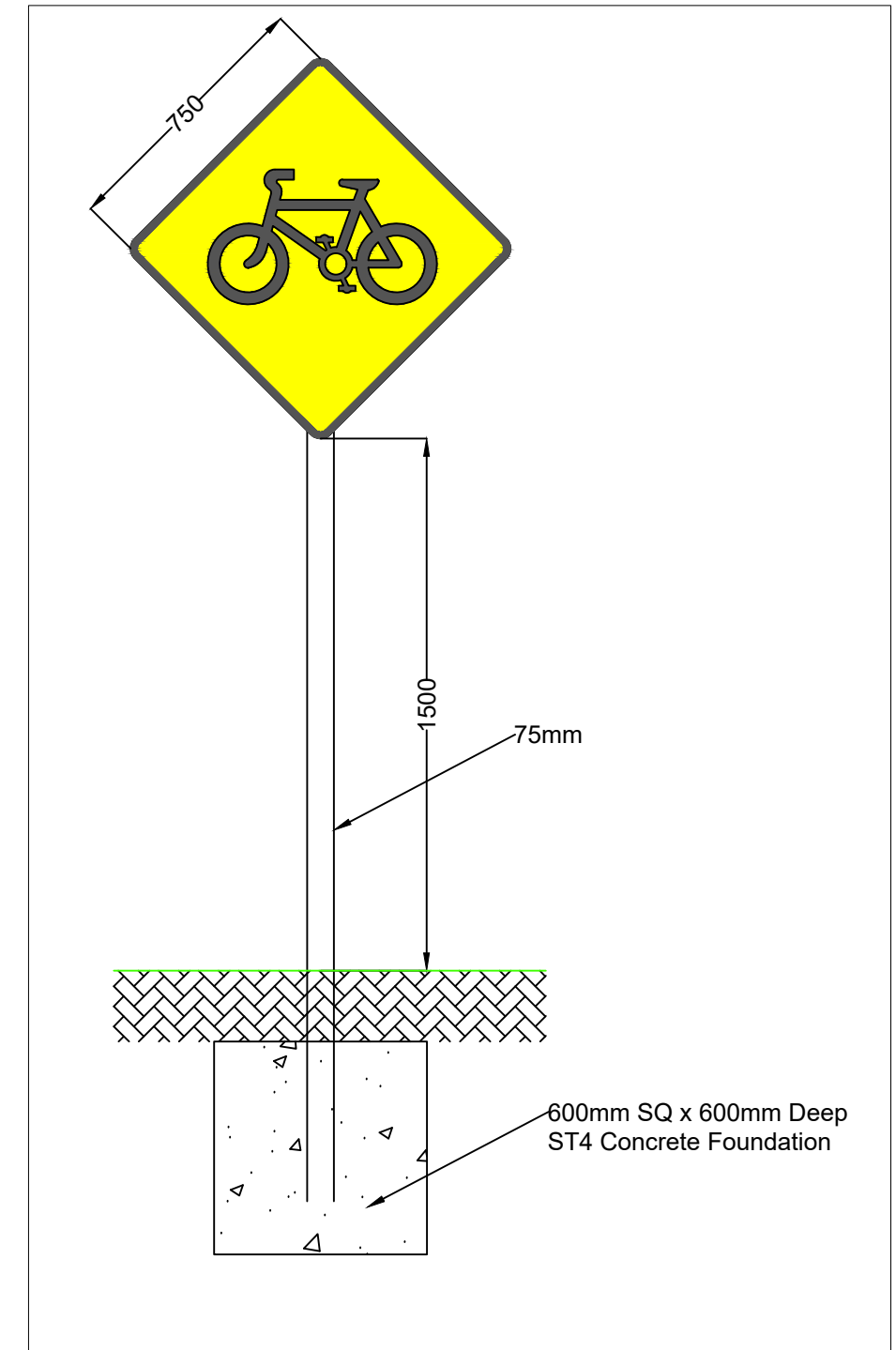
### Typical Post & Rail Fencing Section

SCALE 1:25



### Typical Marker Post Detail

SCALE 1:20



### Typical Sign Detail

SCALE 1:20

NOTE:-  
 1) THIS DRAWING IS THE PROPERTY OF TIPPERARY COUNTY COUNCIL. IT IS A CONFIDENTIAL DOCUMENT AND MUST NOT BE COPIED, USED, OR ITS CONTENTS DIVULGED WITHOUT PRIOR WRITTEN CONSENT.  
 2) ALL LEVELS ARE REFERRED TO ORDNANCE SURVEY DATUM, MALLEN HEAD.  
 3) DO NOT SCALE. USE FIGURED DIMENSIONS ONLY. IF IN DOUBT, ASK.

Rev.	Description	By	Chk.	App.	Date

Project: LITTLETON LABYRINTH					
Title: FENCING & SIGNAGE DETAILS					
Designed: J.D.	Stage: PRELIM	TE Project Ref. No.	Drawing No.:	Revision:	
Drawn: J.D.	Scale: NA		LL-PART8-009	0	
Checked: T.D.	Date: 01.09.21				