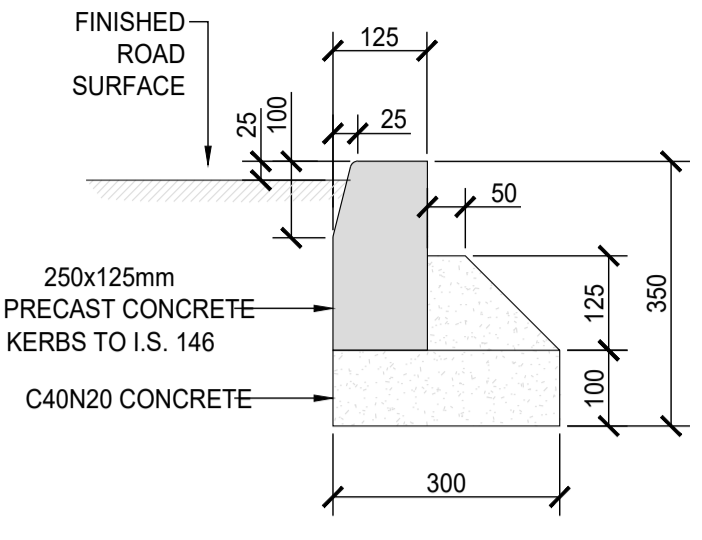
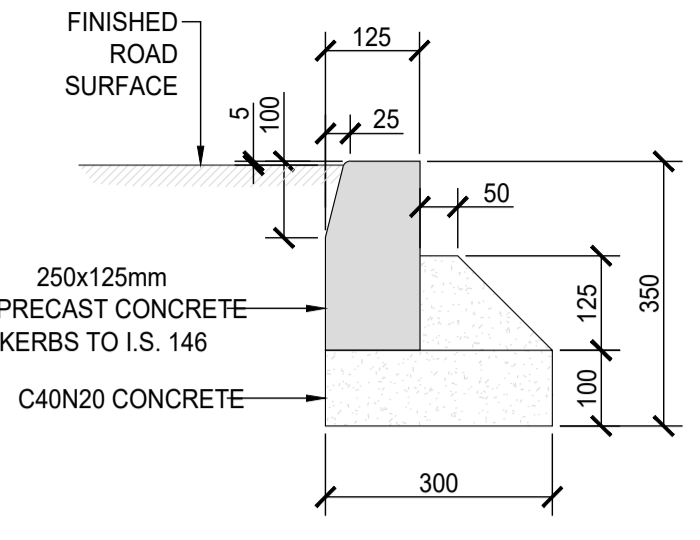


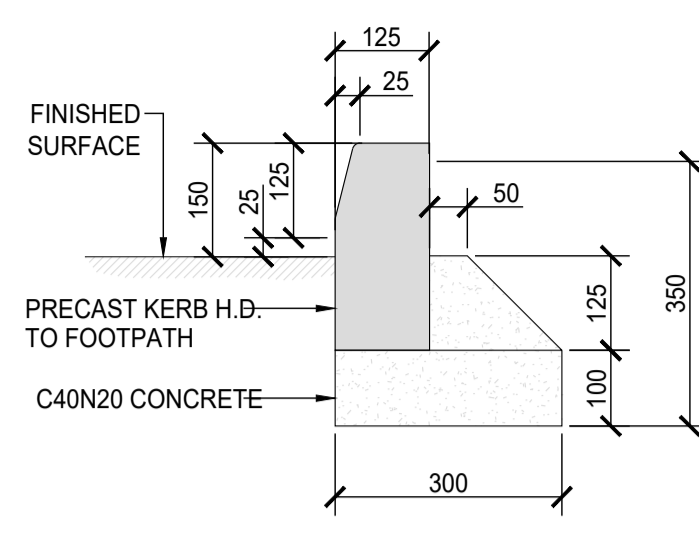
**KERB TYPE 1**  
TYPICAL STREET SIDE KERB  
SCALE 1:10 @A1 & 1:20 @ A3



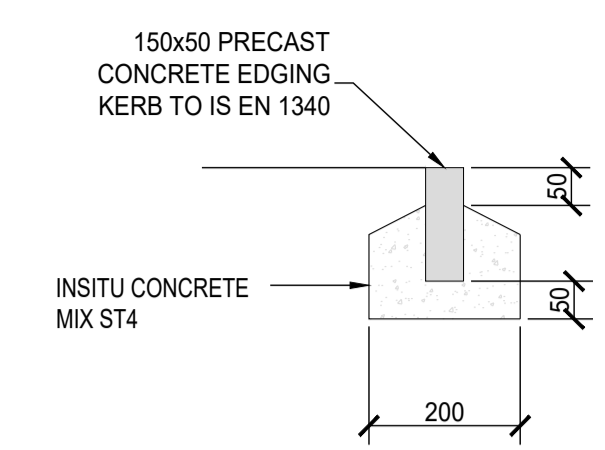
**KERB TYPE 2**  
DROPPED KERB AT VEHICLE CROSSOVER  
SCALE 1:10 @A1 & 1:20 @ A3



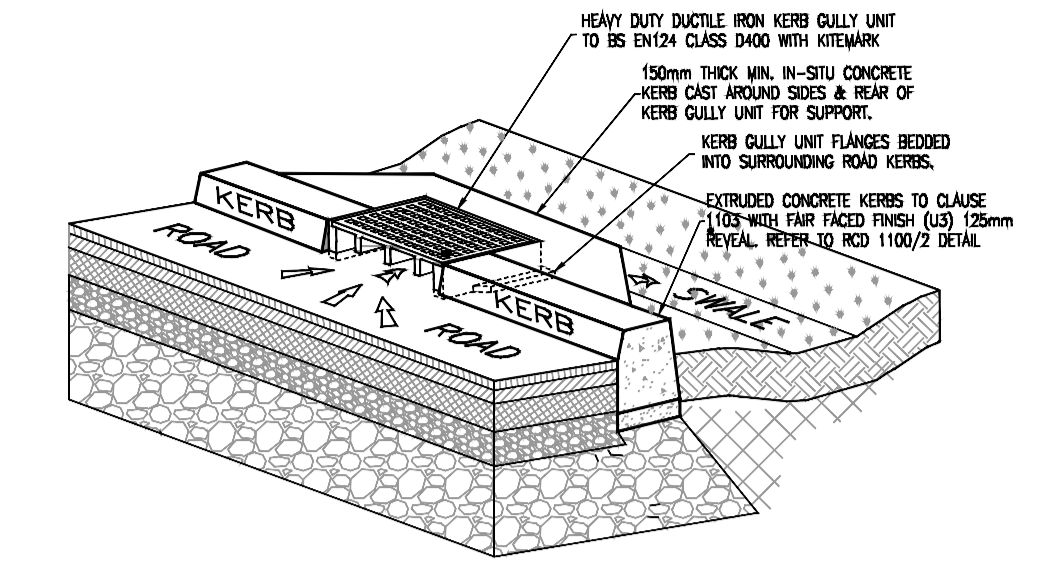
**KERB TYPE 3**  
DROPPED KERB AT PEDESTRIAN CROSSOVER  
SCALE 1:10 & 1:20 @ A3



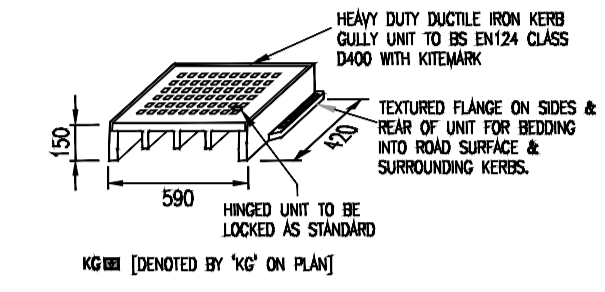
**KERB TYPE 4**  
NORTHERN END BUFFER STRIP  
SCALE 1:10 @ A1& 1:20 @ A3



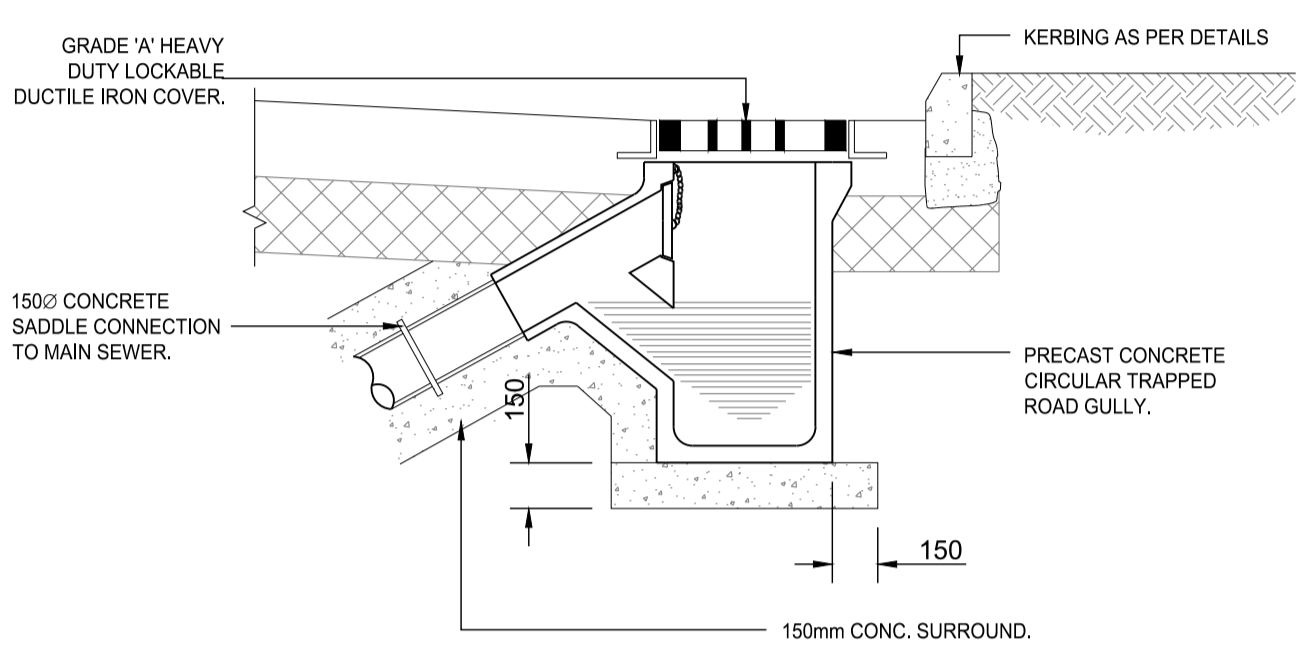
**KERB TYPE 5**  
PROPOSED EDGEING KERB DETAIL  
SCALE 1:10 @ A1 & 1:20 @ A3



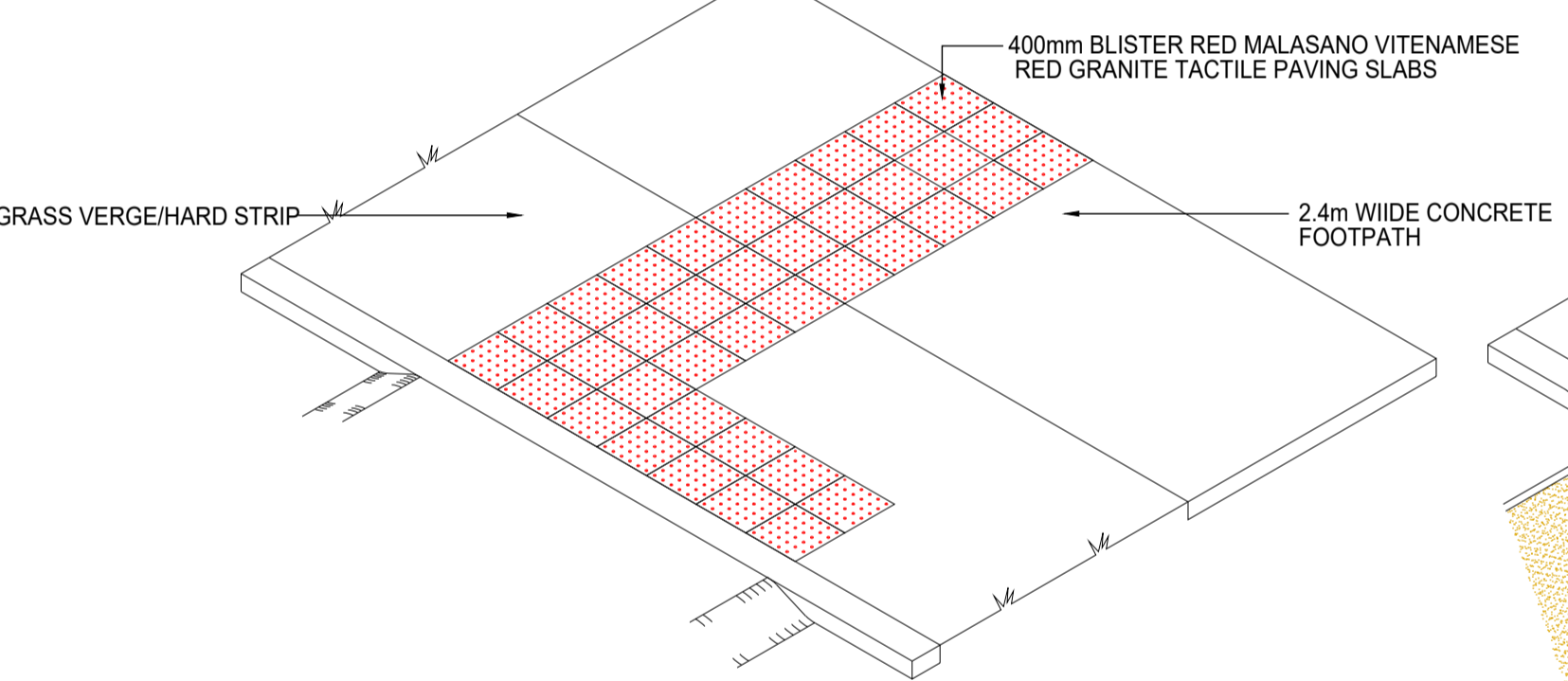
**LATERAL INLET KERB GULLY SCHEMATIC**  
[FOR ROAD DRAINAGE]  
SCALE: NIS



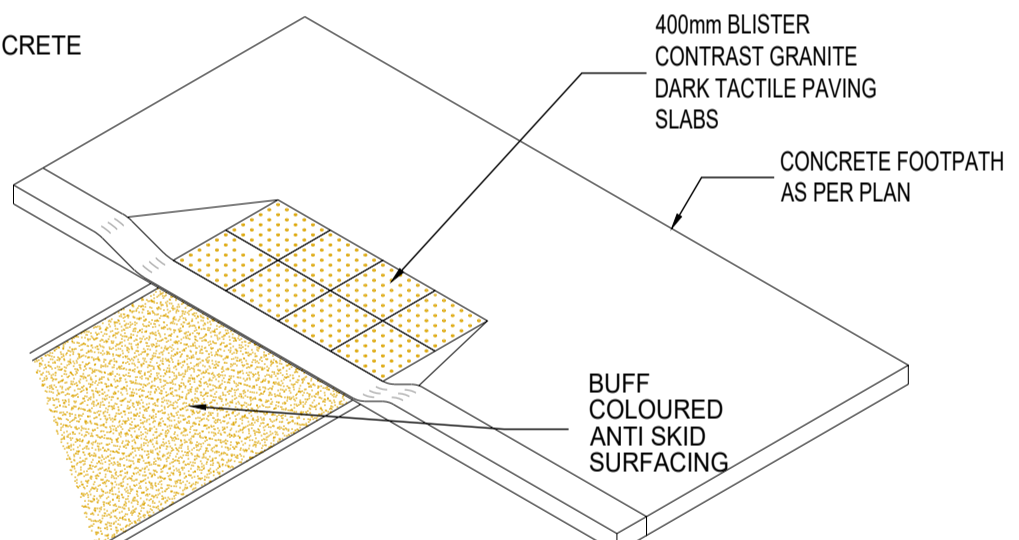
**LATERAL INLET KERB GULLY DETAIL**  
[LOCATED ALONG KERBLINES TO ALLOW ROAD SURFACE WATER RUN-OFF INTO SWALES]  
SCALE: NIS



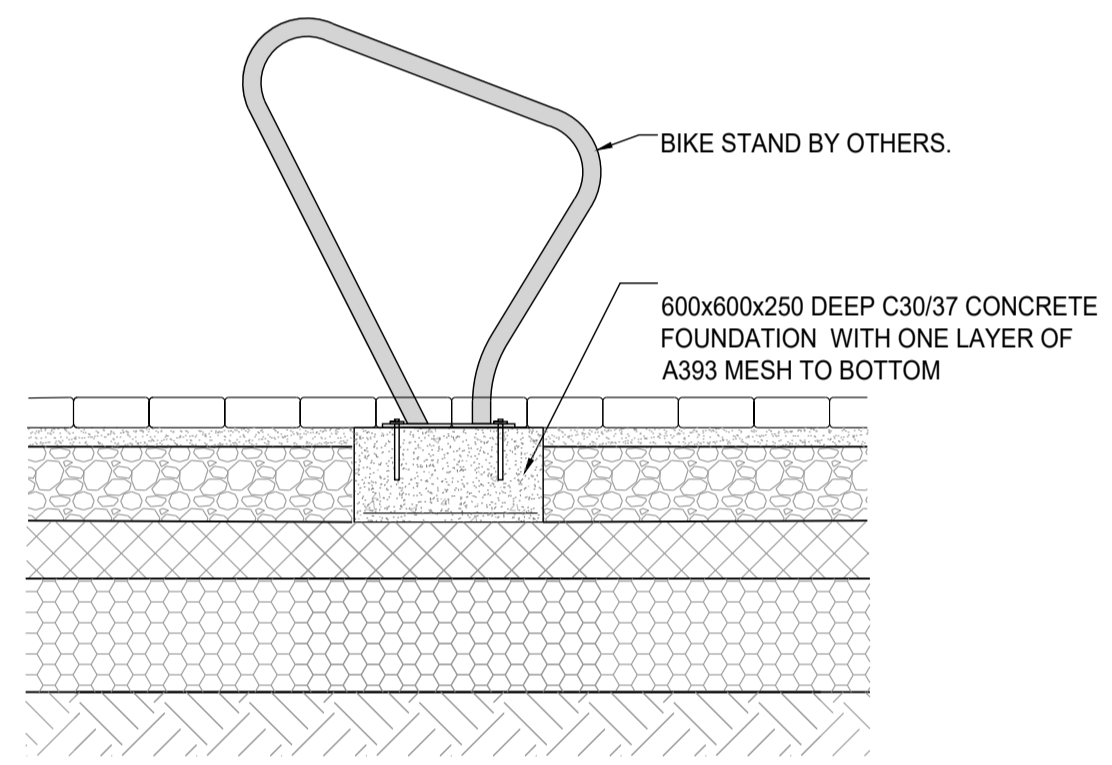
**ROAD GULLY SECTION**  
SCALE 1:25 @ A1 & 1:50 @ A3



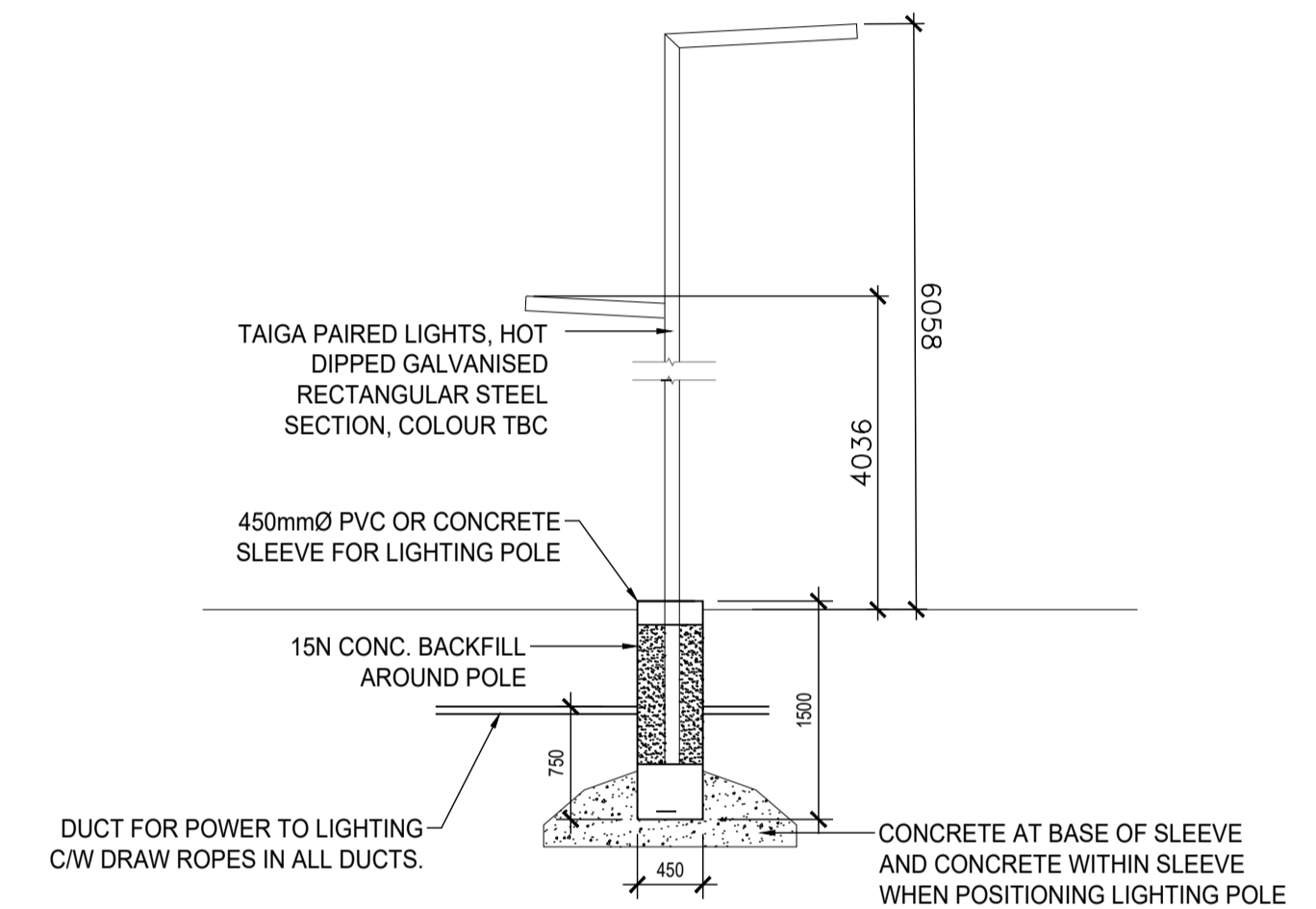
**CONTROLLED CROSSING DETAIL**  
SCALE 1:50 @ A1 & 1:100 @ A3



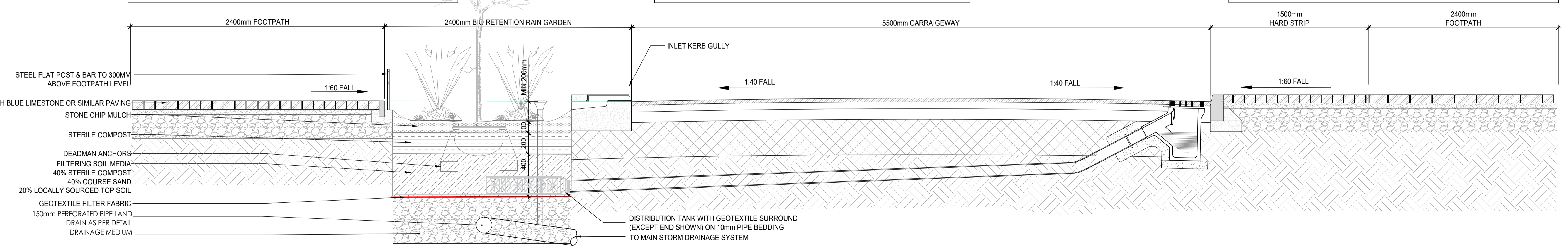
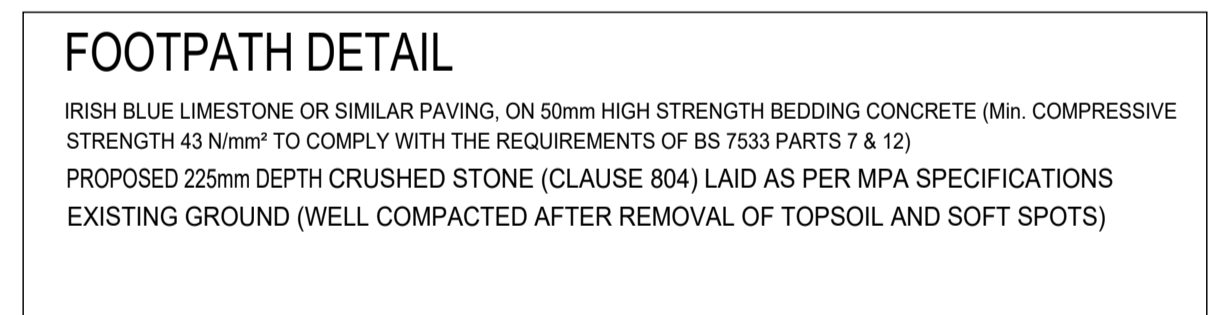
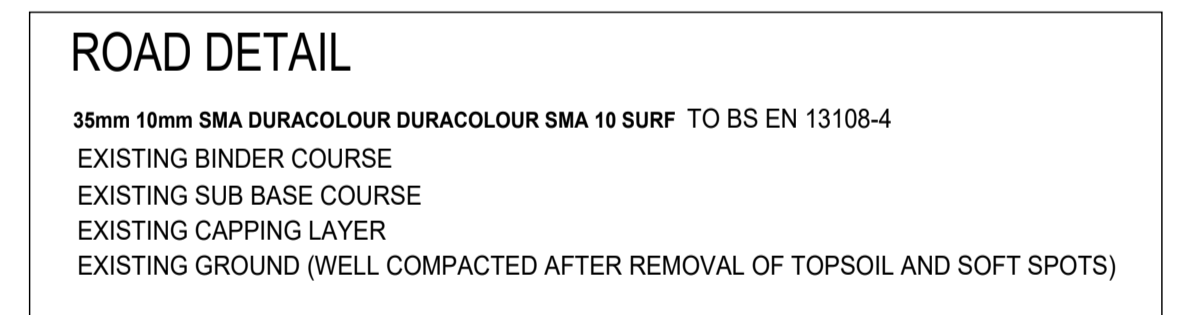
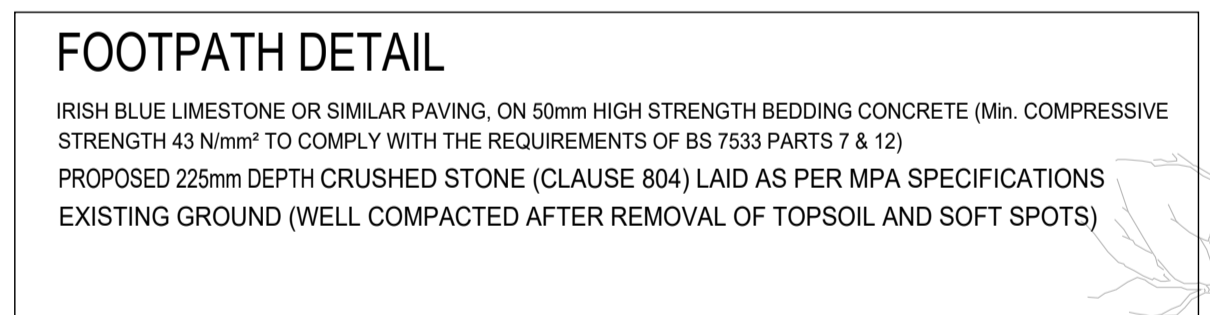
**UNCONTROLLED CROSSING DETAIL**  
SCALE 1:50 @ A1 & 1:100 @ A3



**TYP. BIKE STAND FOUNDATION DETAIL**  
SCALE: 1:20 @ A1 & 1:40 @ A3



**TYP. STREET LIGHTING STANDARD SUPPORT DETAIL**  
SCALE 1:50 @ A1 & 1:100 @ A3



**TYPICAL SECTION THROUGH PROPOSED ROAD**  
SCALE 1:20 @ A1

© PLACE+U 2021. This drawing and any design hereon is the copyright of PLACE+U Ltd. and must not be either loaned, copied or otherwise reproduced in whole or in part or used for any purpose without their written consent. Refer to PLACE+U immediately for clarification in relation to any discrepancies or omissions. Ordnance Survey Ireland data reproduced under OS licence number 0000 Tipperary County Council. Unauthorised reproduction infringes Ordnance Survey Ireland and Government of Ireland copyright.										<table border="1"> <tr> <th>REV</th> <th>DATE</th> <th>DESCRIPTION</th> <th>DRN</th> <th>APD</th> <th>REV</th> <th>DATE</th> <th>DESCRIPTION</th> <th>DRN</th> <th>APD</th> </tr> <tr> <td>01</td> <td>XX/XX/21</td> <td>ISSUED FOR PLANNING</td> <td>XX</td> <td>XX</td> <td></td> <td></td> <td></td> <td></td> <td></td> </tr> </table>										REV	DATE	DESCRIPTION	DRN	APD	REV	DATE	DESCRIPTION	DRN	APD	01	XX/XX/21	ISSUED FOR PLANNING	XX	XX						<table border="1"> <tr> <td>PROJECT TITLE</td> <td colspan="3">Proposed Public Realm Works</td> </tr> <tr> <td>PROJECT LOCATION</td> <td colspan="3">Gantly Street, Roscrea</td> </tr> <tr> <td>PROJECT NUMBER</td> <td colspan="3">001</td> </tr> <tr> <td>CLIENT</td> <td colspan="3">Tipperary County Council</td> </tr> </table>										PROJECT TITLE	Proposed Public Realm Works			PROJECT LOCATION	Gantly Street, Roscrea			PROJECT NUMBER	001			CLIENT	Tipperary County Council			<table border="1"> <tr> <th colspan="5">DRAWING TITLE</th> </tr> <tr> <th colspan="5">PROPOSED DETAILS</th> </tr> <tr> <th>DRAWING NUMBER</th> <th>STAGE</th> <th>PROJECT NO</th> <th>CONTRACT</th> <th>DRAW NO</th> <th>DRAW REV</th> </tr> <tr> <td>P</td> <td>001</td> <td>0000</td> <td>3000</td> <td>01</td> <td></td> </tr> <tr> <td>DATE</td> <td colspan="2">28/01/22</td> <td>SCALES</td> <td colspan="2">As Noted</td> </tr> <tr> <td></td> <td></td> <td></td> <td></td> <td colspan="2">SHEET SIZE A1</td> </tr> </table>										DRAWING TITLE					PROPOSED DETAILS					DRAWING NUMBER	STAGE	PROJECT NO	CONTRACT	DRAW NO	DRAW REV	P	001	0000	3000	01		DATE	28/01/22		SCALES	As Noted						SHEET SIZE A1	
REV	DATE	DESCRIPTION	DRN	APD	REV	DATE	DESCRIPTION	DRN	APD																																																																																																				
01	XX/XX/21	ISSUED FOR PLANNING	XX	XX																																																																																																									
PROJECT TITLE	Proposed Public Realm Works																																																																																																												
PROJECT LOCATION	Gantly Street, Roscrea																																																																																																												
PROJECT NUMBER	001																																																																																																												
CLIENT	Tipperary County Council																																																																																																												
DRAWING TITLE																																																																																																													
PROPOSED DETAILS																																																																																																													
DRAWING NUMBER	STAGE	PROJECT NO	CONTRACT	DRAW NO	DRAW REV																																																																																																								
P	001	0000	3000	01																																																																																																									
DATE	28/01/22		SCALES	As Noted																																																																																																									
				SHEET SIZE A1																																																																																																									